



ADOPEN
Algerie

**PVC PROFILE
TECHNICAL SPECIFICATION**





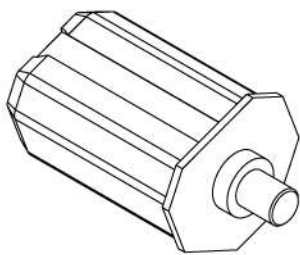
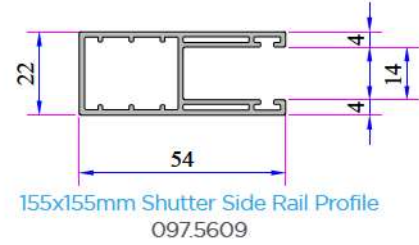
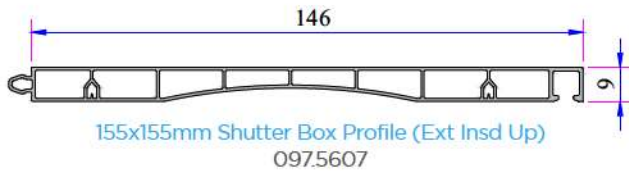
INSTRUCTION

ADO SHUTTER PROFILE SERIES

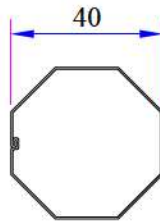
- Thanks to the 155 x 155 mm box, it offers the possibility of manufacturing the desired wall thickness, width and height.
- Assembly and maintenance of the blade - it is possible from the inside for any kind of room renovation.
- Applicable with motor, remote control and manual cable.
- Sliding rails are available with blade of roller shutter of measurement 37 mm size.

155 ROLLER SHUTTER PROFILE SYSTEM

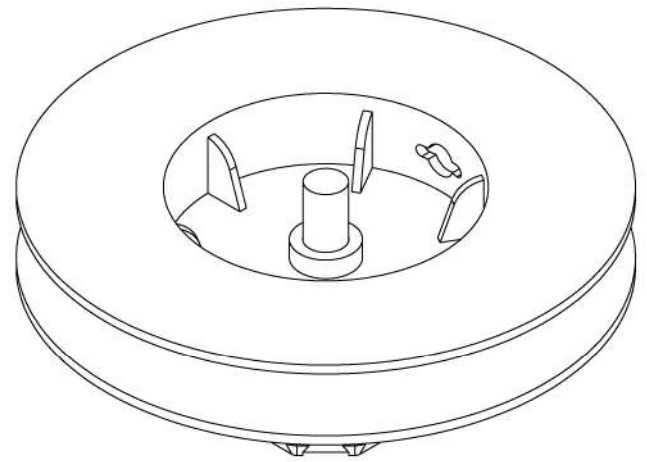
155x155mm SHUTTER BOXES



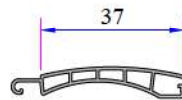
Shutter Small Roller
34019-11290



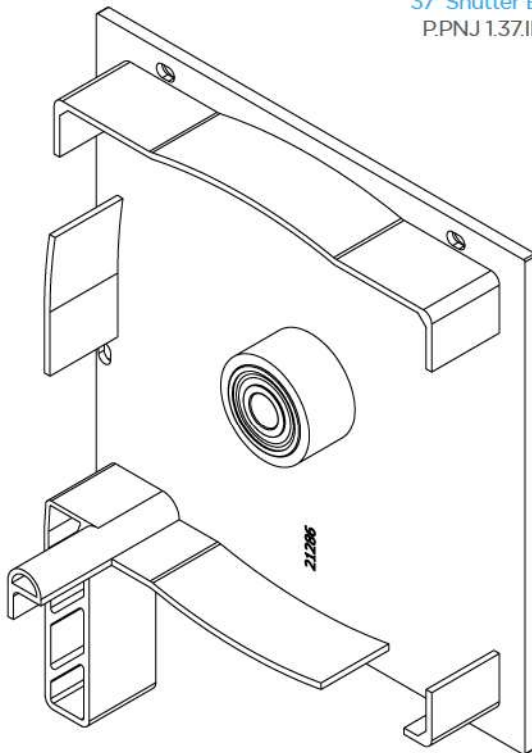
Shutter Rewinding Drum Galvanized
34019-41040



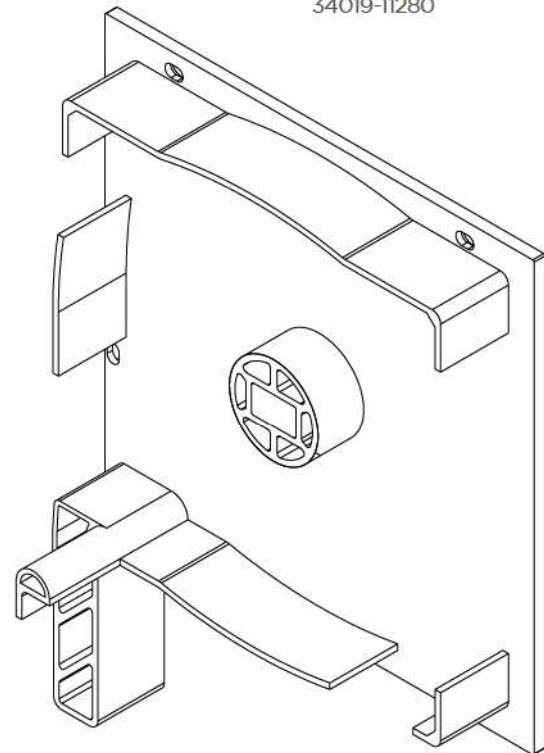
Shutter Big Roller
34019-11280



37' Shutter Blade
P.PNJ 1.37.IH.10

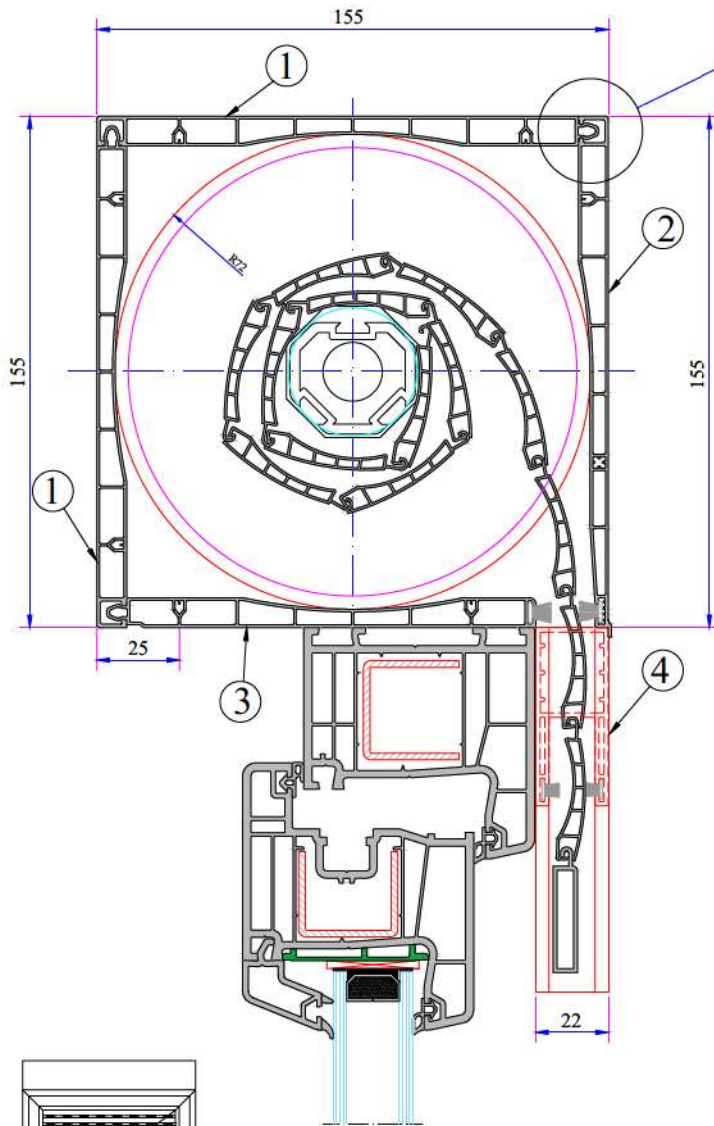
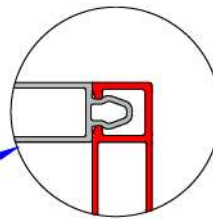


155x155 mm Corded Shutter Side Profile Left And Right Are Different
34019-11040

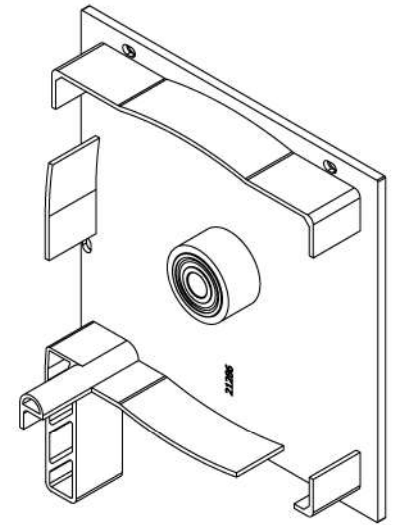


155x155 mm Motorized Shutter Side Cover (Left And Right Are Different)
34019-11050

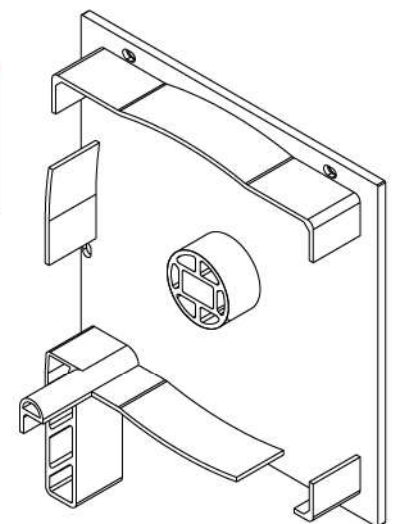
155 ROLLER SHUTTER PROFILE SYSTEM



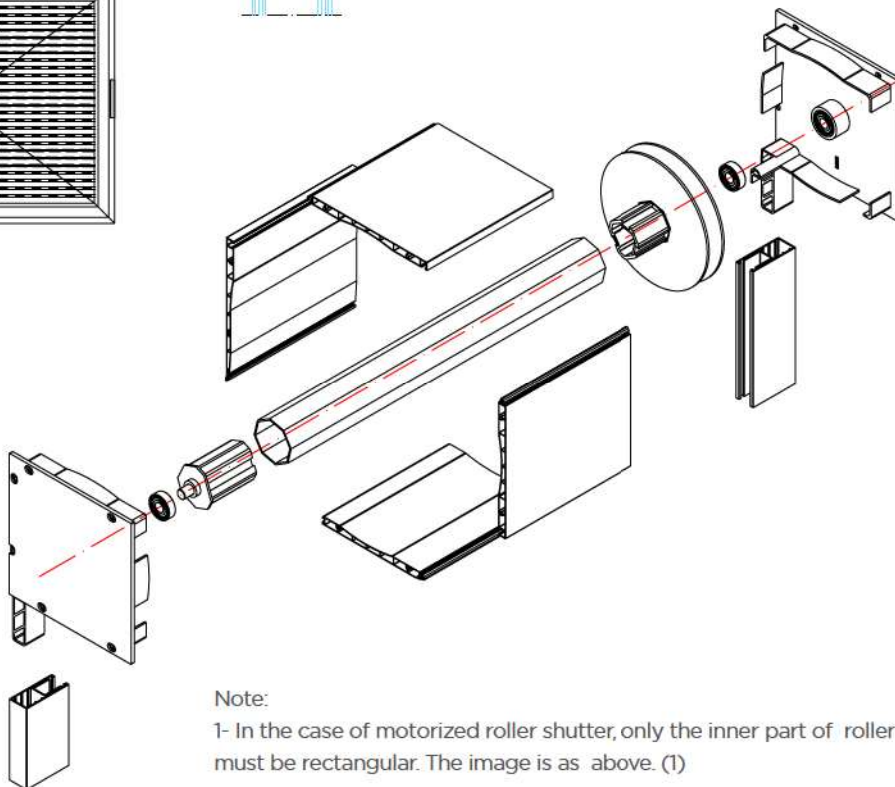
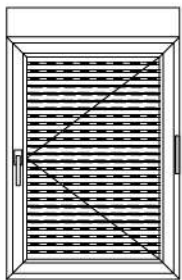
155x155mm Roller Shutter Box Systems		
1	Shutter Inner And Superior Box Profile	2 Pieces
2	Shutter External Box Profile	1 Piece
3	Shutter Lower Side Box Profile	1 Piece
4	Shutter Side Rail Profile	2 Pieces



155x155 mm Corded Shutter Side Cover
(Right And Left Side Are Different)
34019-11040



155x155 mm Motorized Shutter Side Cover
(Right And Left Sides Are The Same)
34019-11050

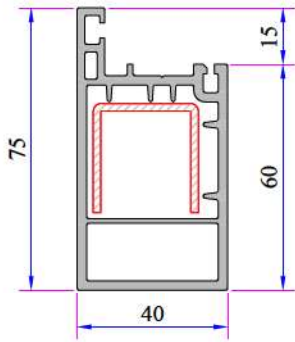


Note:

1- In the case of motorized roller shutter, only the inner part of roller bearing must be rectangular. The image is as above. (1)

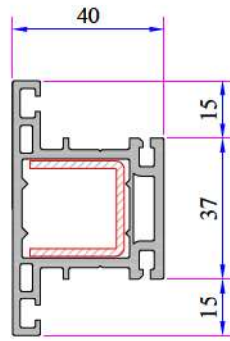
SHUTTER SYSTEM

SHUTTER MAIN PROFILES

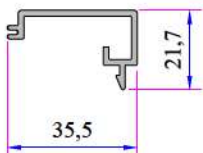


Sash Profile
098.5900

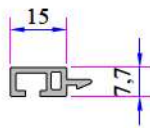
Mullion Profile
098.5901



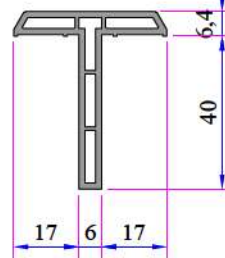
SHUTTER AUXILIARY PROFILES



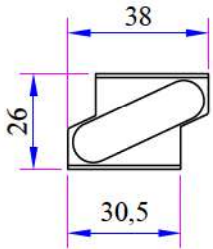
Sash Cover Profile
098.5905



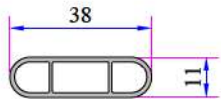
Shutter Blade Bead
098.5904



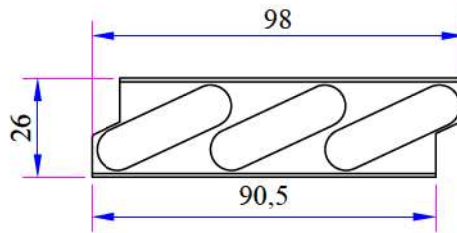
T Profile
098.5902



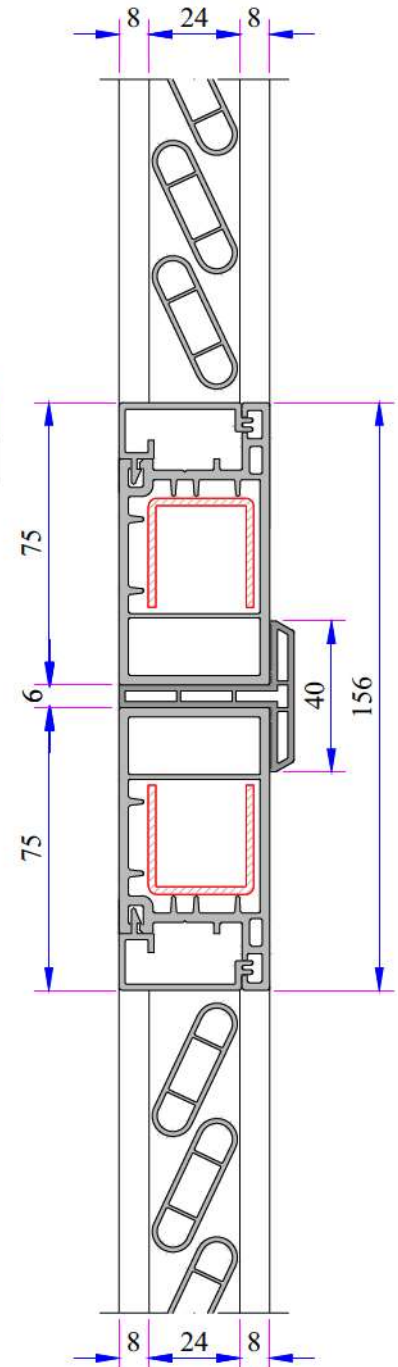
Single Sled
34020-11010



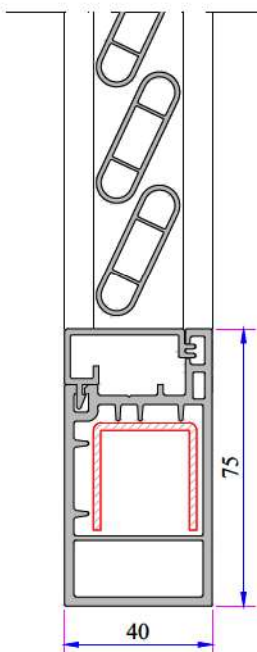
Shutter Blade
098.5903



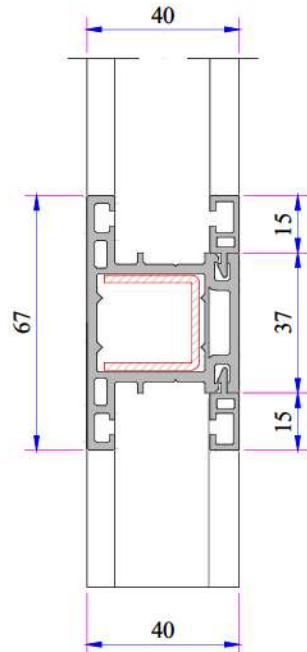
Shutter Blade Bead
34020-11020



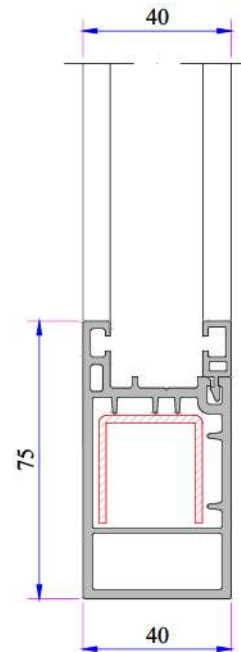
SHUTTER INSTALLATION



Shutter Blade Sash Installation

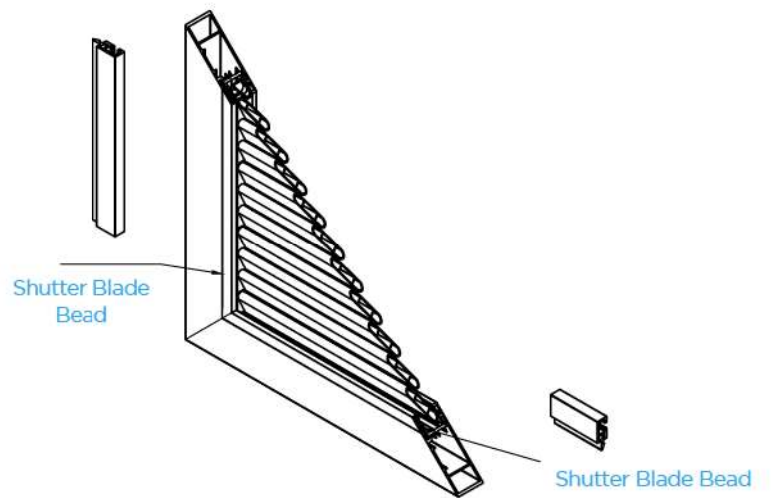
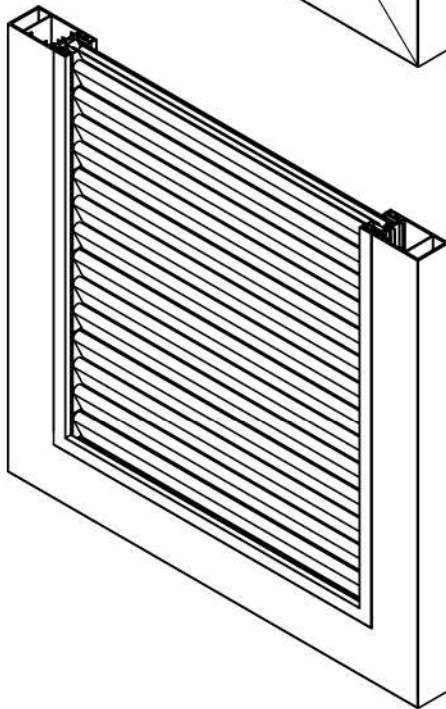
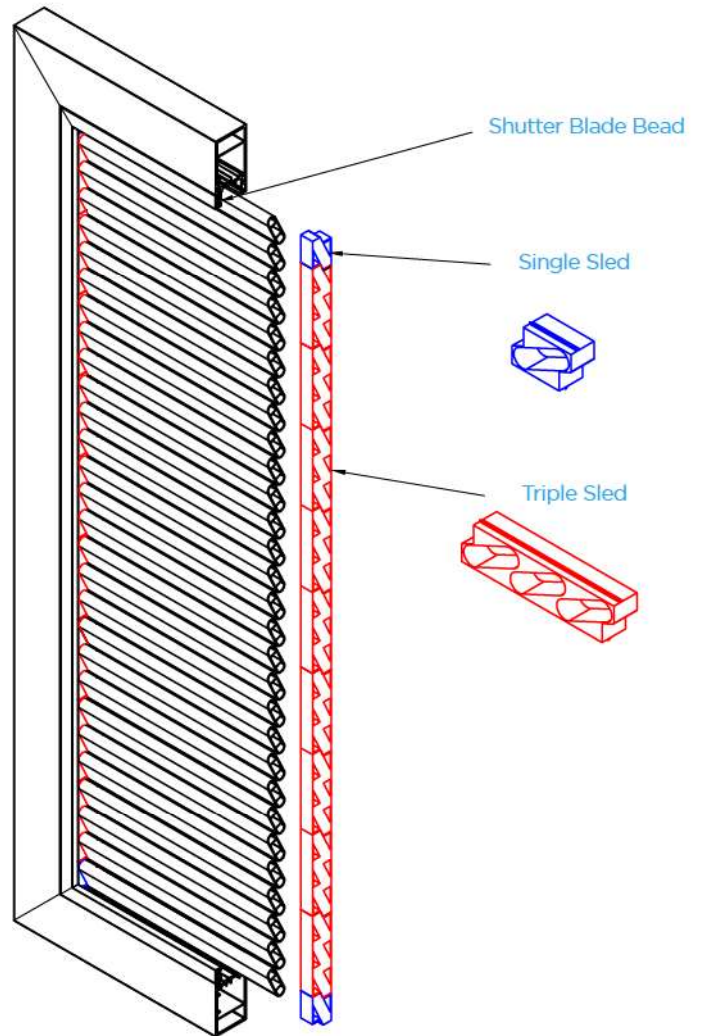
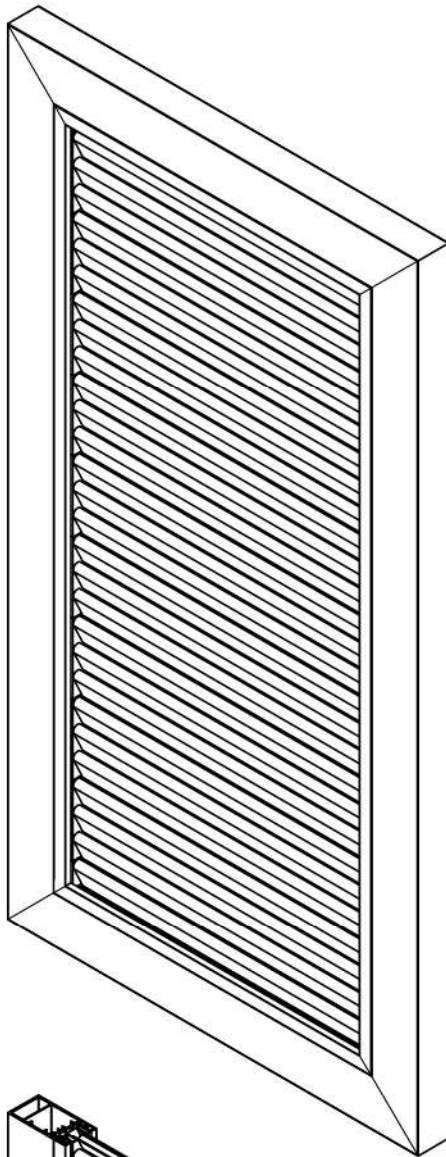


Shutter Mullion Installation



Shutter Blade Bead Installation

Shutter Installation





ADOPEN

Algerie

adopen-algerie.com

FACTORY

SPA ADOPEN ALGERIE

Zone Industrielle Zaaroura N°417/418-14000 TIARET / ALGERIA

